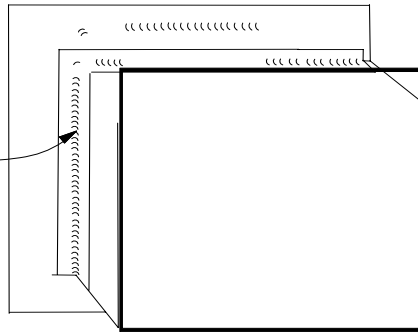
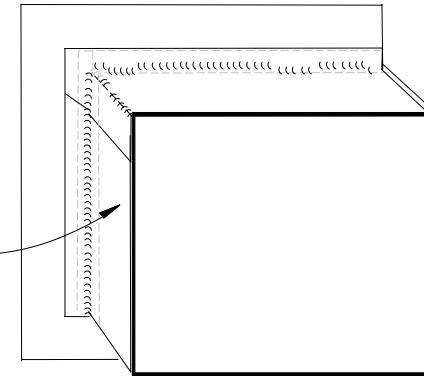


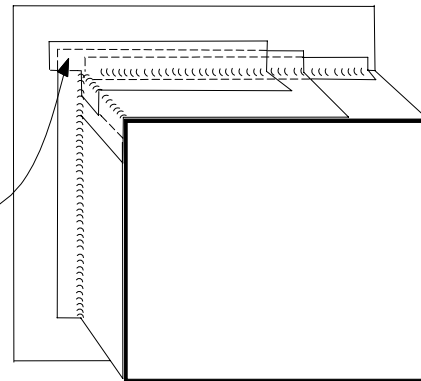
STEP 1
4" PIECE OF 2 MIL SMOOTH FOIL TAPE FOLDED IN HALF AND CENTERED OVER DUCT TO EQUIPMENT HANDLER JOINT



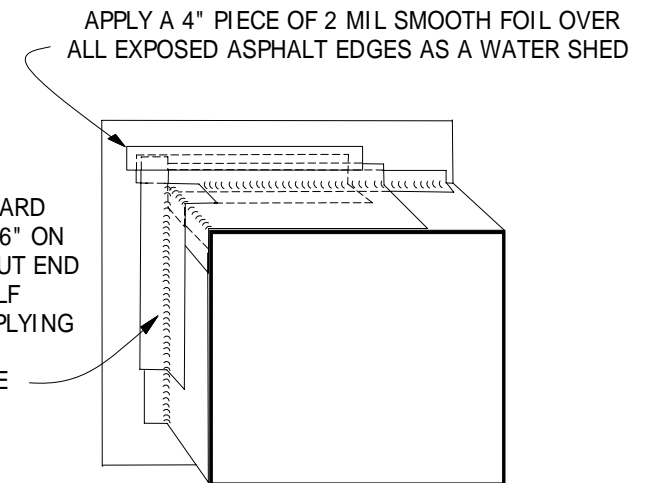
STEP 2
ALUMAGUARD APPLIED TO DUCT/ OR APPROPRIATE DUCT INSULATION AND OVER 2 MIL SMOOTH FOIL TAPE ONTO EQUIPMENT HANDLER A MINIMUM OF 4"



STEP 3
APPLY A 12" STRIP OF ALUMAGUARD 6" ON VERTICAL DUCT AND 6" ON HORIZONTAL EQUIPMENT - CUT END OF ALUMAGUARD IN HALF FORM TO FIT CORNER BY APPLYING 6" TO DUCT AND 6" TO EQUIPMENT HANDLER



STEP 4
A 12" STRIP OF ALUMAGUARD 6" ON VERTICAL DUCT AND 6" ON HORIZONTAL EQUIPMENT - CUT END OF ALUMAGUARD IN HALF FORM TO FIT CORNER BY APPLYING 6" TO DUCT AND 6" TO EQUIPMENT HANDLE



APPLY A 4" PIECE OF 2 MIL SMOOTH FOIL OVER ALL EXPOSED ASPHALT EDGES AS A WATER SHED

FOLLOW ALL STEPS COMPLETELY AROUND THE DUCT FOR CORRECT APPLICATION

SECTION @ ALUMAGUARD SEALING TO EQUIPMENT DETAIL

POLYGUARD PRODUCTS, INC. 2011

(NOT TO SCALE)

Polyguard Products, Inc.
P.O. Box 755 - Ennis, TX 75119
Phone: 214-515-5000 Fax: 972-875-9425

Web Site - www.polyguardproducts.com

x:\u\s\i\rd\undrseal\2007\Mechanical\Alumaguard\181alumaguardsealingtoequipmentdetail

The information provided is based on data and knowledge considered to be true and accurate and is offered for the users' consideration, investigation and verification, but we do not warrant the results to be obtained. Please read all data sheets, statements, recommendations or suggestions in conjunction with our conditions of sale, which apply to all goods supplied by us.