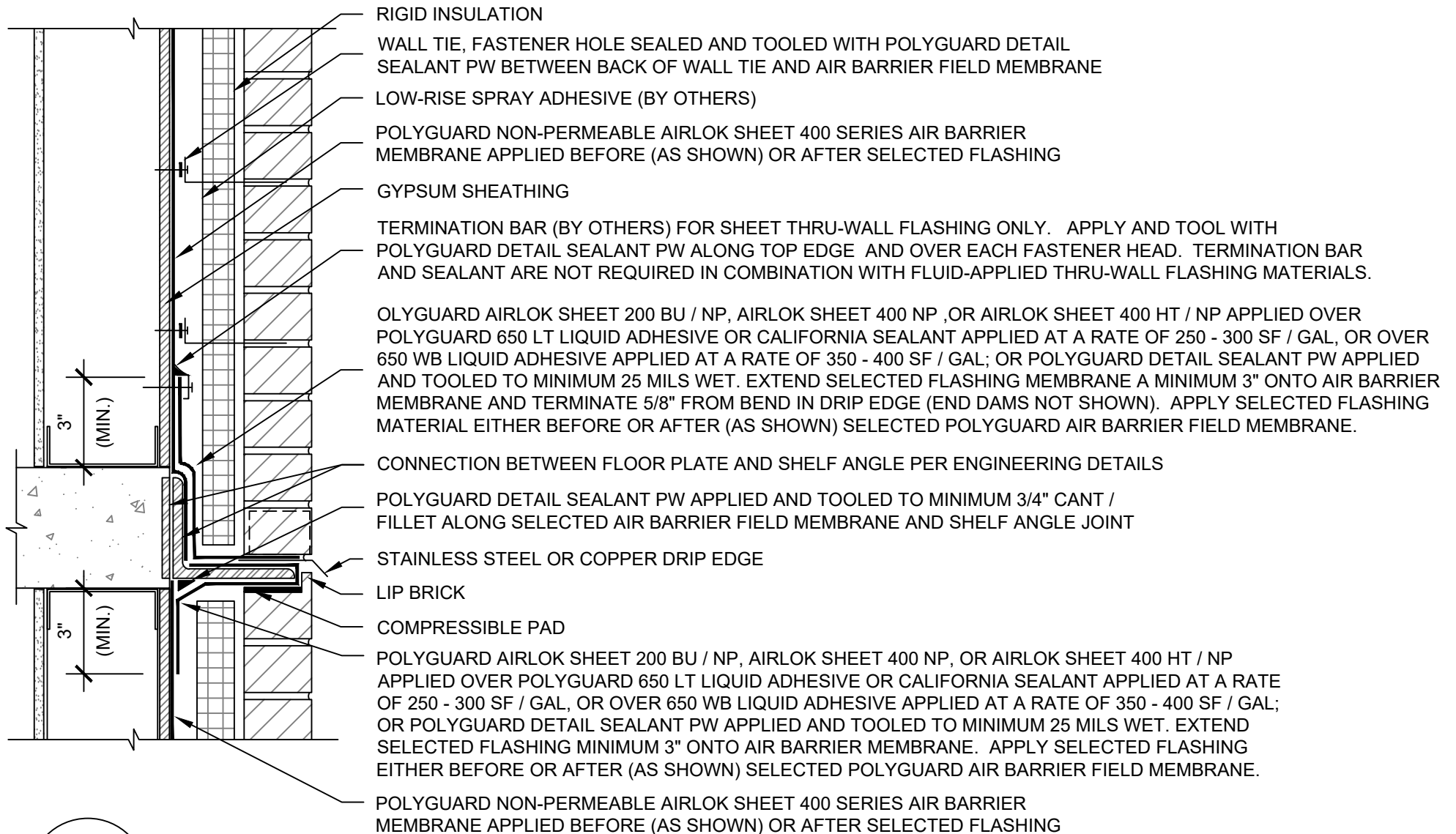


01
ASANP

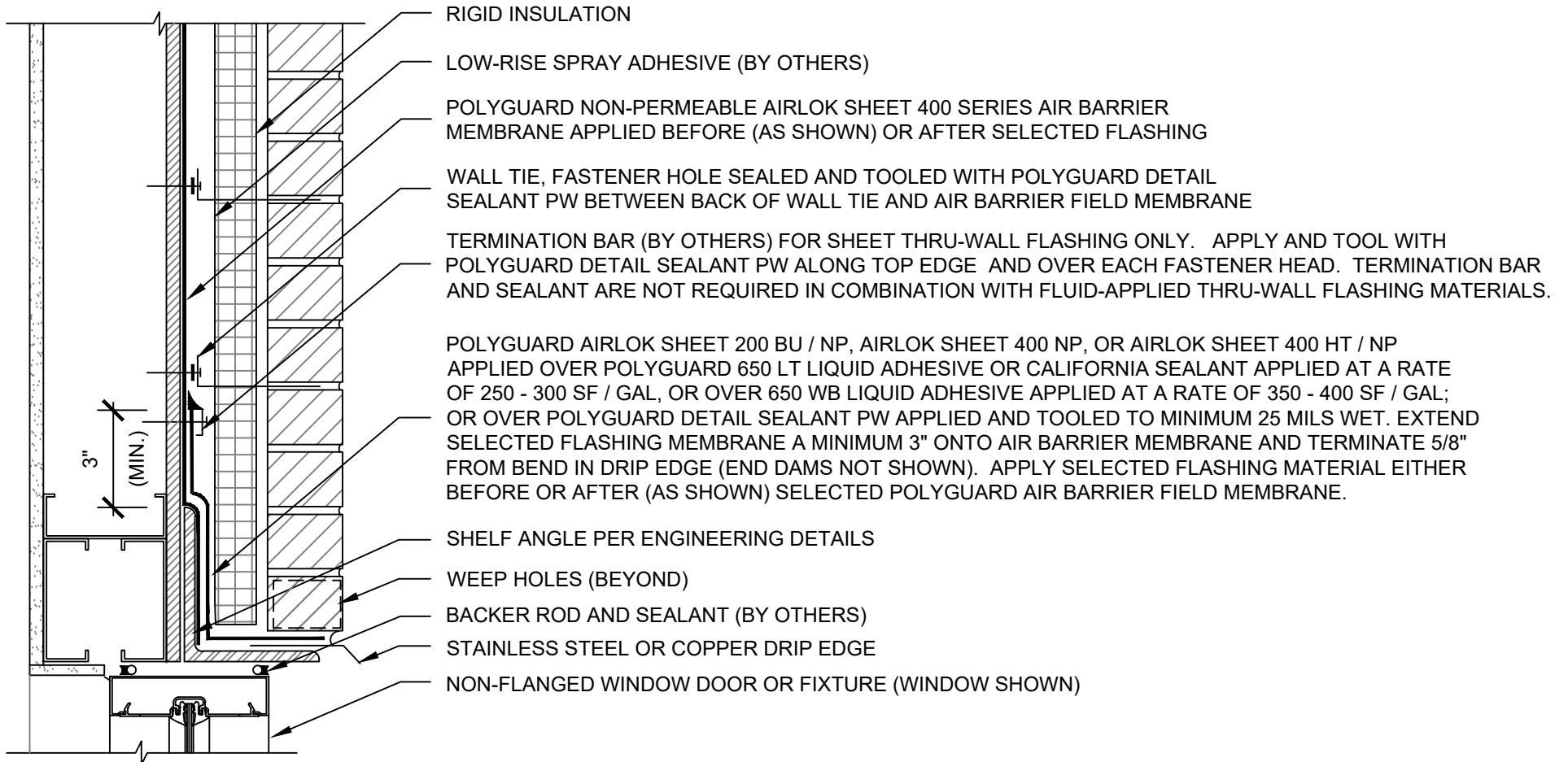
SECTION @ FRAMED BACKING WALL / MASONRY VENEER - WALL BASE

<p>The information provided is based on data and knowledge considered to be true and accurate and is offered for the users' consideration, investigation and verification, but we do not warrant the results to be obtained. Please read all data sheets, statements, recommendations or suggestions in conjunction with our conditions of sale, which apply to all goods supplied by us.</p>	NOT TO SCALE
	EFFECTIVE DATE: 03/06/2023
	SUPERCEDES: 01/01/2023



02
ASANP

SECTION @ FRAMED BACKING WALL / MASONRY VENEER - FLOOR TRANSITION



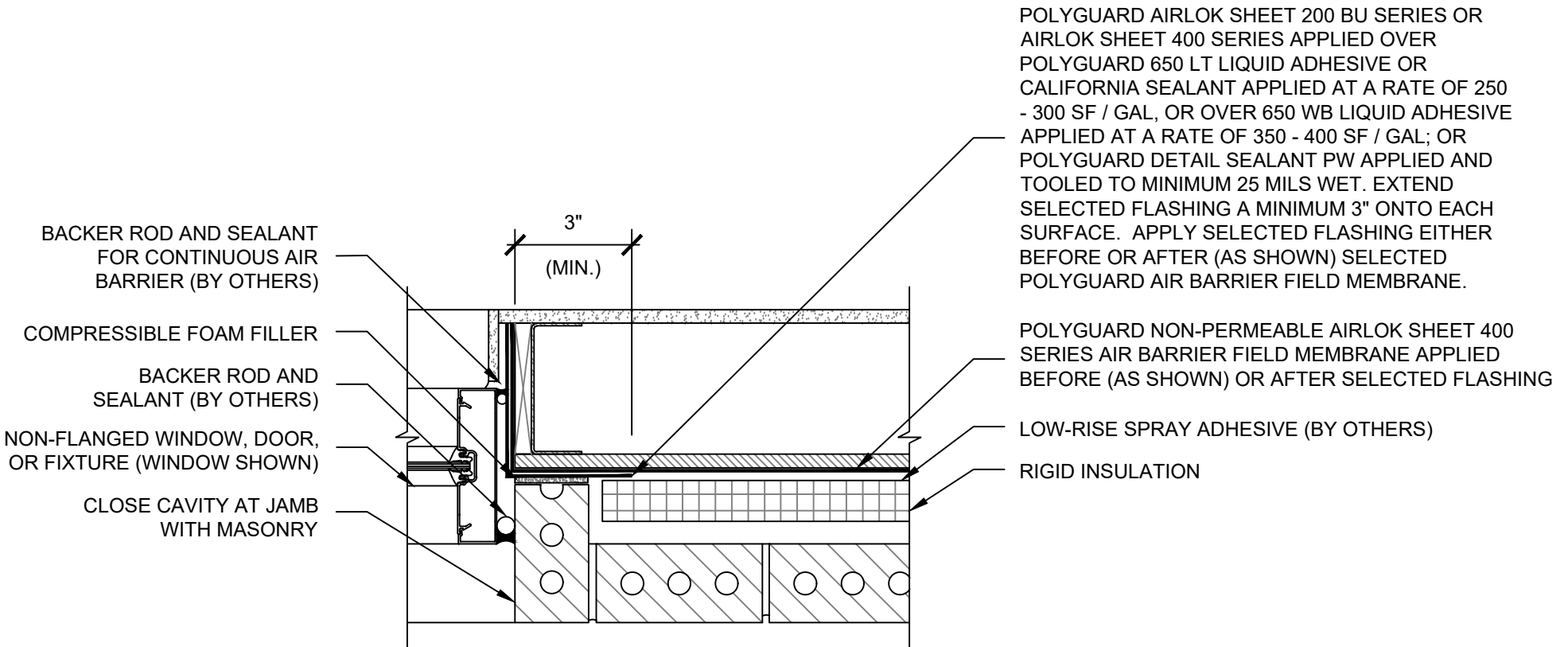
03
ASANP

SECTION @ FRAMED BACKING WALL / MASONRY VENEER - NON-FLANGED WINDOW, DOOR, OR FIXTURE HEAD

Polyguard Products, Inc.
P.O. Box 755 - Ennis, TX 75120
Phone: 214-515-5000
Web Site - www.polyguard.com

©POLYGUARD PRODUCTS, INC.
MATERIAL SEPARATED FOR CLARITY

The information provided is based on data and knowledge considered to be true and accurate and is offered for the users' consideration, investigation and verification, but we do not warrant the results to be obtained. Please read all data sheets, statements, recommendations or suggestions in conjunction with our conditions of sale, which apply to all goods supplied by us.	NOT TO SCALE
	EFFECTIVE DATE: 03/06/2023
	SUPERCEDES: 01/01/2023



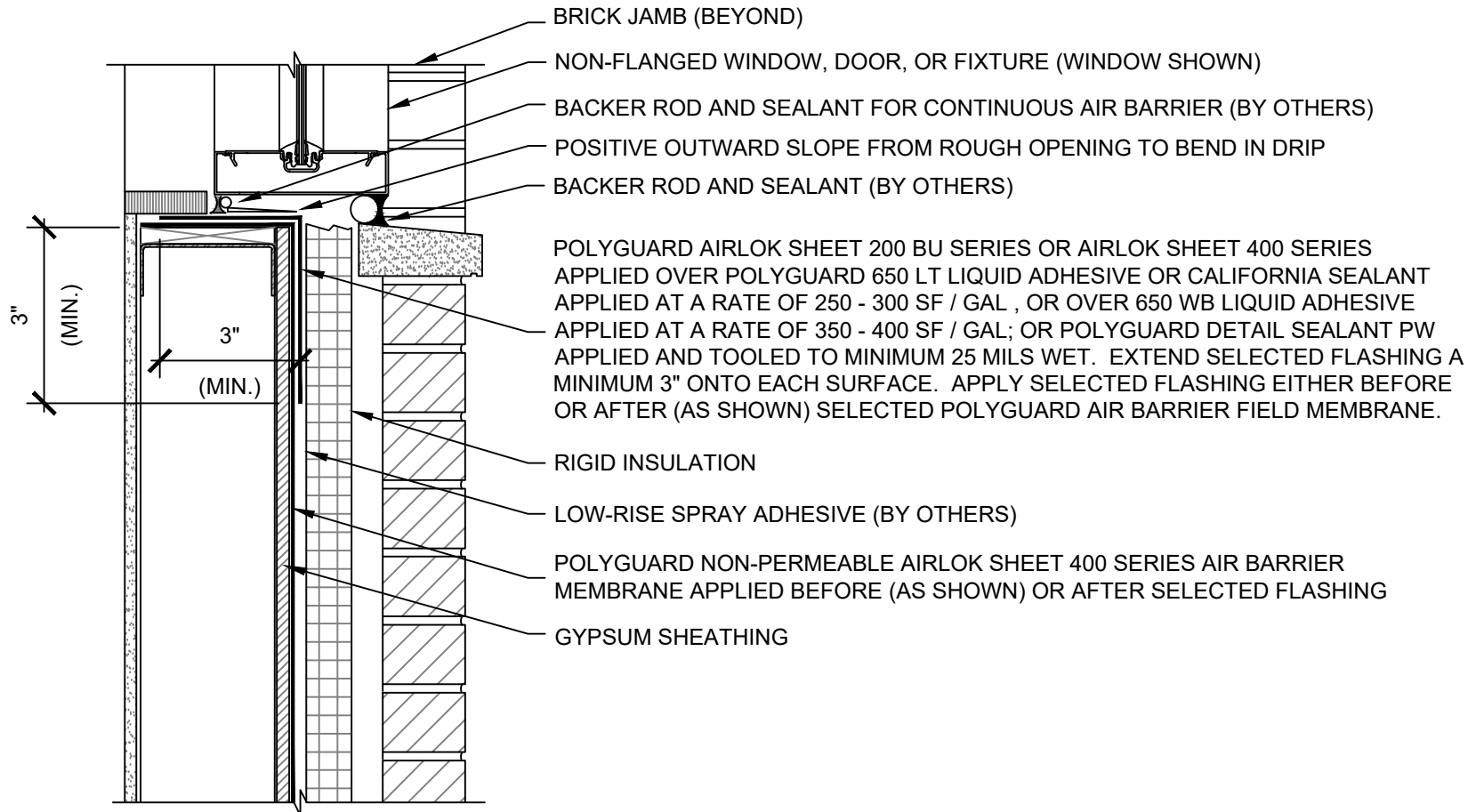
04
ASANP

PLAN @ FRAMED BACKING WALL / MASONRY VENEER - NON-FLANGED WINDOW, DOOR, OR FIXTURE JAMB

Polyguard Products, Inc.
P.O. Box 755 - Ennis, TX 75120
Phone: 214-515-5000
Web Site - www.polyguard.com

©POLYGUARD PRODUCTS, INC.
MATERIAL SEPARATED FOR CLARITY

<p>The information provided is based on data and knowledge considered to be true and accurate and is offered for the users' consideration, investigation and verification, but we do not warrant the results to be obtained. Please read all data sheets, statements, recommendations or suggestions in conjunction with our conditions of sale, which apply to all goods supplied by us.</p>	NOT TO SCALE
	EFFECTIVE DATE: 03/06/2023
	SUPERCEDES: 01/01/2023



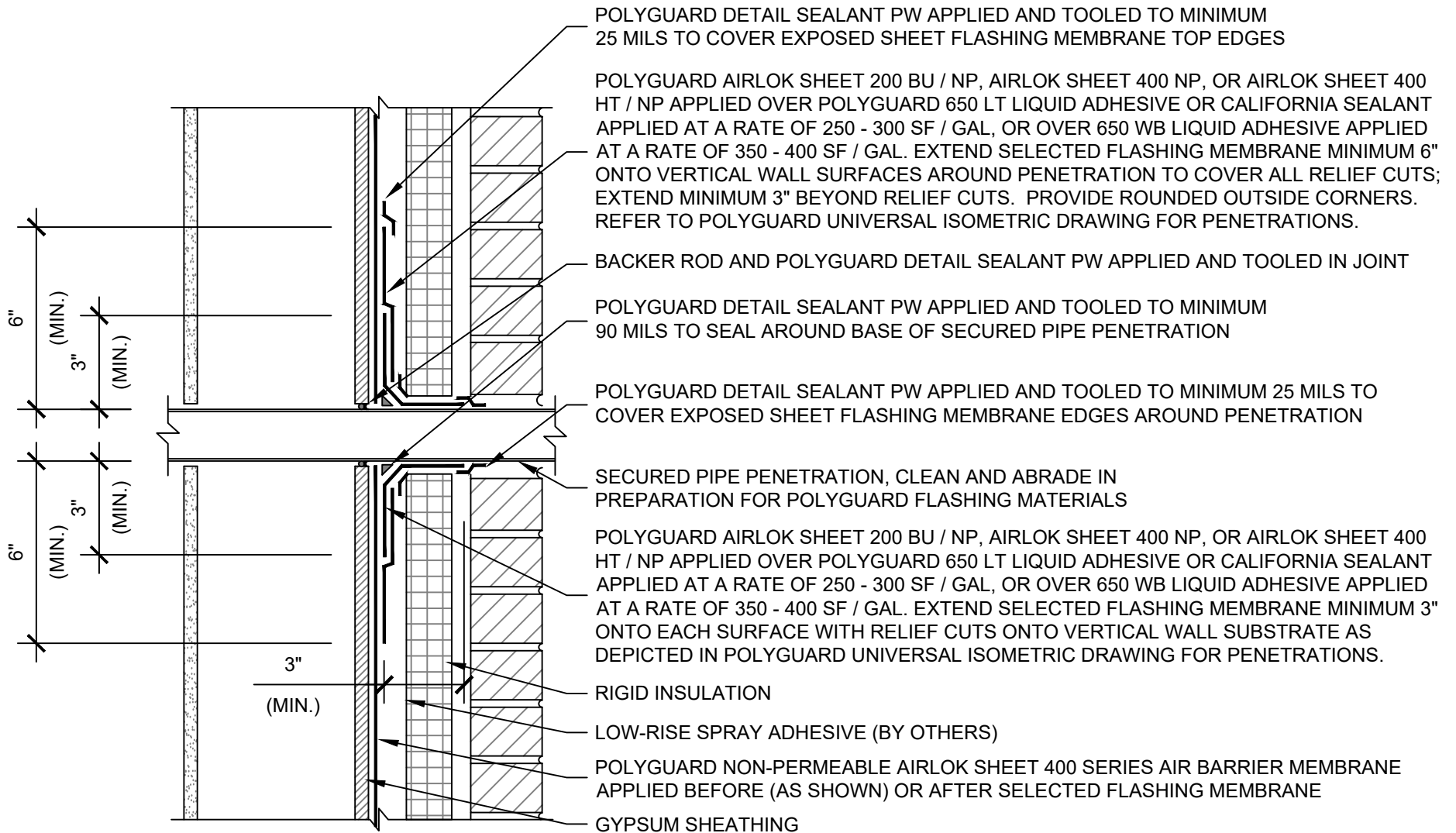
05
ASANP

SECTION @ FRAMED BACKING WALL / MASONRY VENEER - NON-FLANGED WINDOW, DOOR, OR FIXTURE SILL

Polyguard Products, Inc.
P.O. Box 755 - Ennis, TX 75120
Phone: 214-515-5000
Web Site - www.polyguard.com

©POLYGUARD PRODUCTS, INC.
MATERIAL SEPARATED FOR CLARITY

<p>The information provided is based on data and knowledge considered to be true and accurate and is offered for the users' consideration, investigation and verification, but we do not warrant the results to be obtained. Please read all data sheets, statements, recommendations or suggestions in conjunction with our conditions of sale, which apply to all goods supplied by us.</p>	NOT TO SCALE
	EFFECTIVE DATE: 03/06/2023
	SUPERCEDES: 01/01/2023



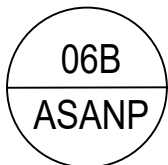
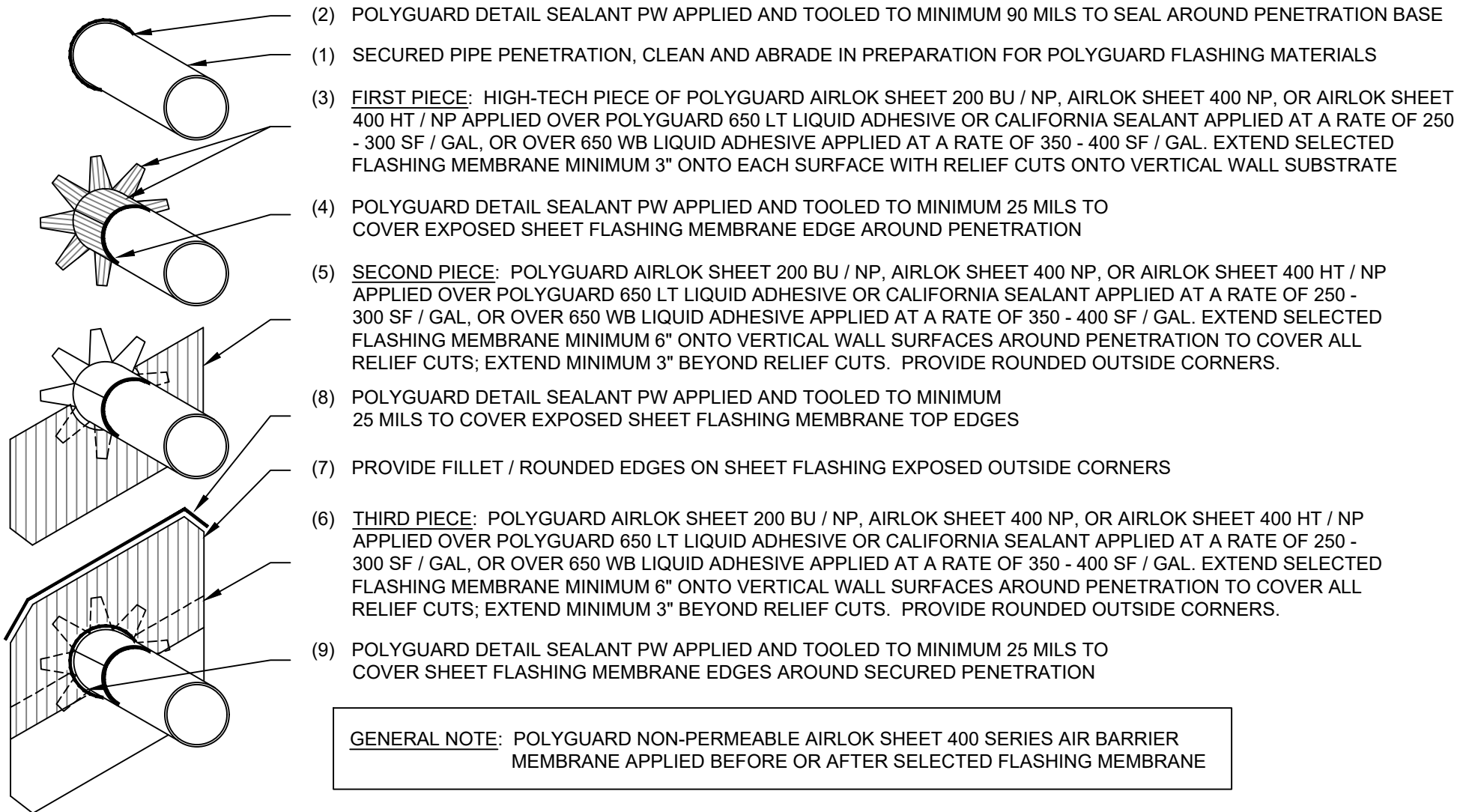
06A SECTION @ FRAMED BACKING WALL / MASONRY VENEER - UNIVERSAL SHEET FLASHING FOR PENETRATIONS

ASANP

Polyguard Products, Inc.
P.O. Box 755 - Ennis, TX 75120
Phone: 214-515-5000
Web Site - www.polyguard.com

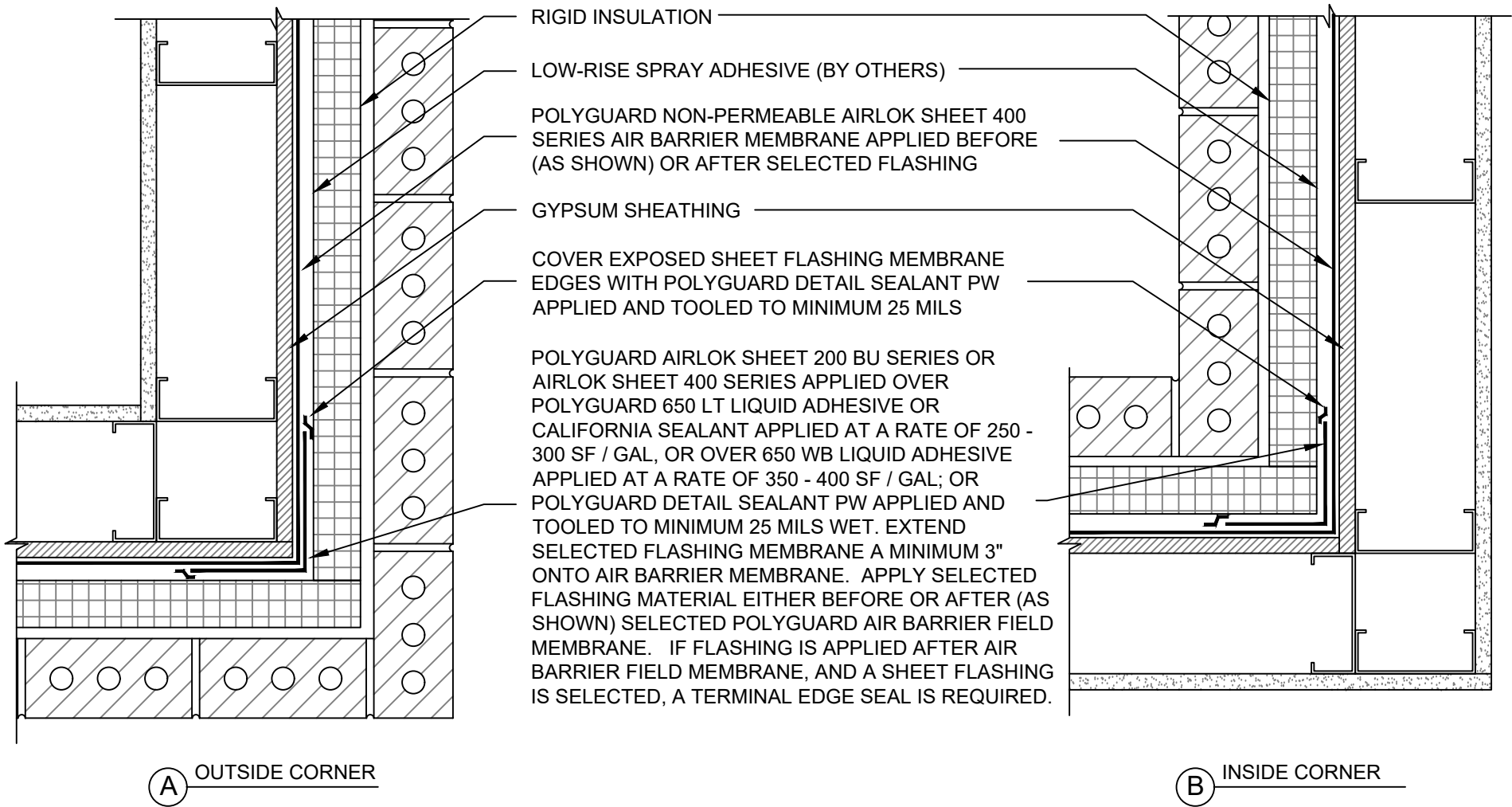
©POLYGUARD PRODUCTS, INC.
MATERIAL SEPARATED FOR CLARITY

<p>The information provided is based on data and knowledge considered to be true and accurate and is offered for the users' consideration, investigation and verification, but we do not warrant the results to be obtained. Please read all data sheets, statements, recommendations or suggestions in conjunction with our conditions of sale, which apply to all goods supplied by us.</p>	NOT TO SCALE
	EFFECTIVE DATE: 03/06/2023
	SUPERCEDES: 01/01/2023



ISOMETRIC @ UNIVERSAL SHEET FLASHING FOR PENETRATIONS

The information provided is based on data and knowledge considered to be true and accurate and is offered for the users' consideration, investigation and verification, but we do not warrant the results to be obtained. Please read all data sheets, statements, recommendations or suggestions in conjunction with our conditions of sale, which apply to all goods supplied by us.	NOT TO SCALE
	EFFECTIVE DATE: 03/06/2023
	SUPERCEDES: 01/01/2023



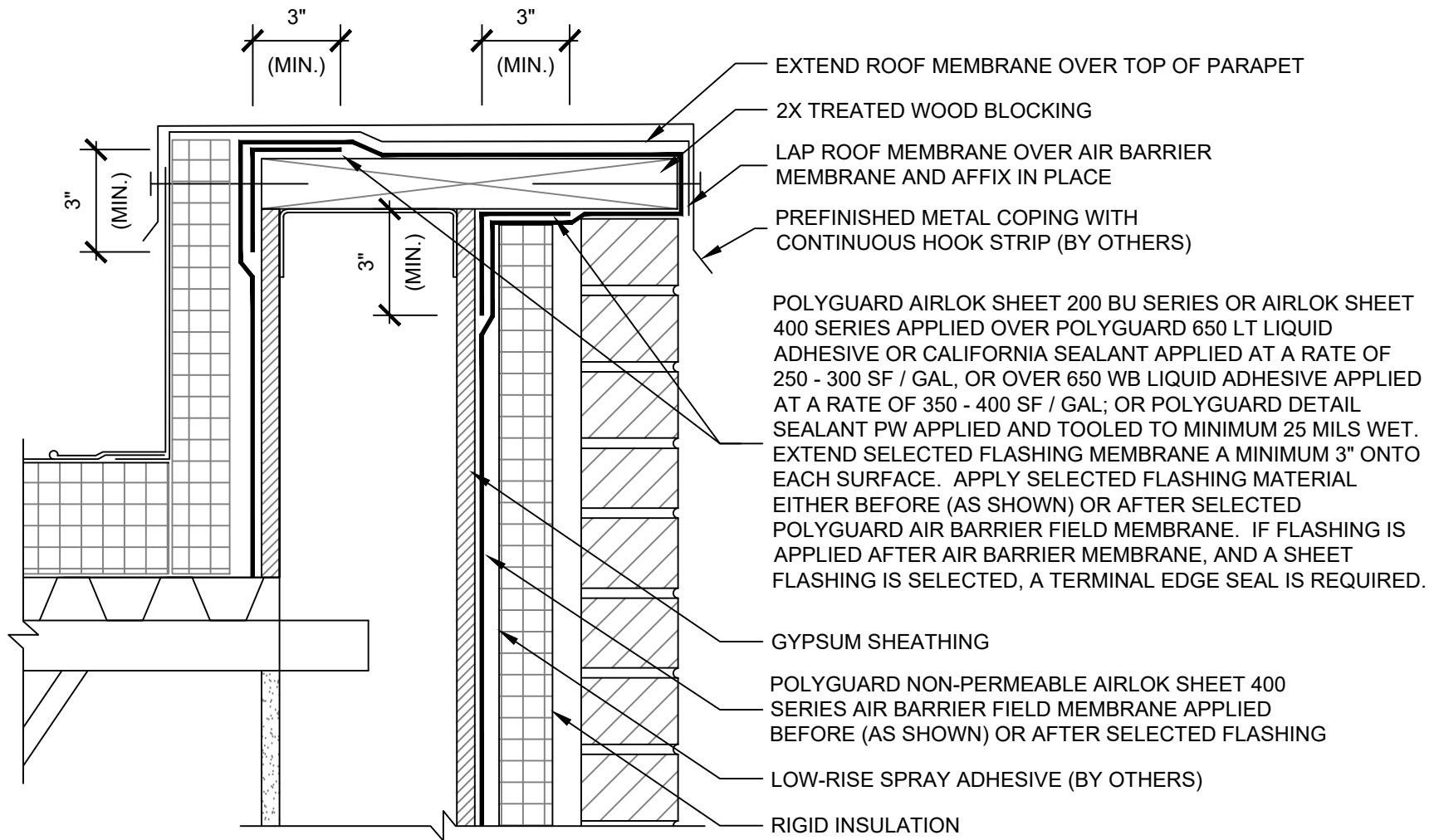
07
ASANP

PLAN @ FRAMED BACKING WALL / MASONRY VENEER - CORNER DETAILS

Polyguard Products, Inc.
P.O. Box 755 - Ennis, TX 75120
Phone: 214-515-5000
Web Site - www.polyguard.com

©POLYGUARD PRODUCTS, INC.
MATERIAL SEPARATED FOR CLARITY

<p>The information provided is based on data and knowledge considered to be true and accurate and is offered for the users' consideration, investigation and verification, but we do not warrant the results to be obtained. Please read all data sheets, statements, recommendations or suggestions in conjunction with our conditions of sale, which apply to all goods supplied by us.</p>	NOT TO SCALE
	EFFECTIVE DATE: 03/06/2023
	SUPERCEDES: 01/01/2023



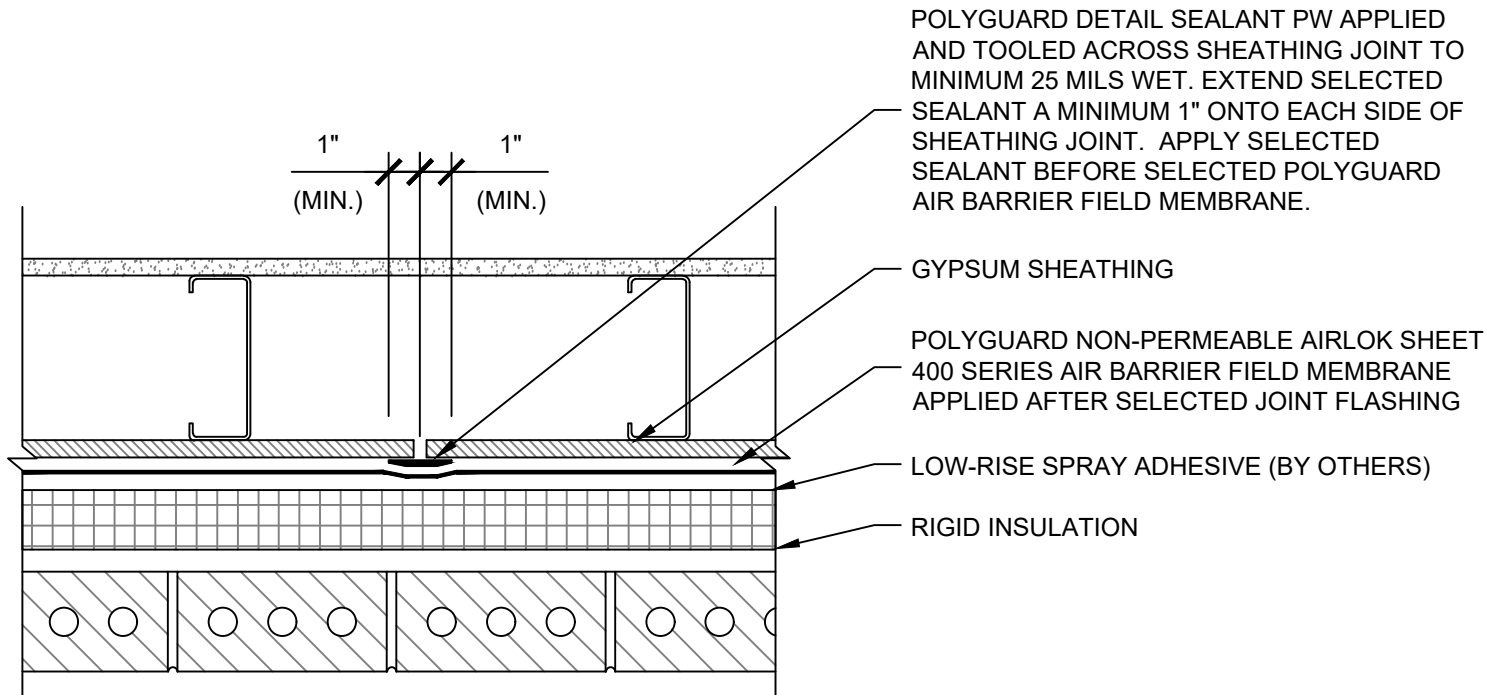
08
ASANP

SECTION @ FRAMED BACKING WALL / MASONRY VENEER - PARAPET

©POLYGUARD PRODUCTS, INC.
MATERIAL SEPARATED FOR CLARITY

Polyguard Products, Inc.
P.O. Box 755 - Ennis, TX 75120
Phone: 214-515-5000
Web Site - www.polyguard.com

<p>The information provided is based on data and knowledge considered to be true and accurate and is offered for the users' consideration, investigation and verification, but we do not warrant the results to be obtained. Please read all data sheets, statements, recommendations or suggestions in conjunction with our conditions of sale, which apply to all goods supplied by us.</p>	NOT TO SCALE
	EFFECTIVE DATE: 03/06/2023
	SUPERCEDES: 01/01/2023



09
ASANP

PLAN @ FRAMED BACKING WALL / MASONRY VENEER - SUBSTRATE JOINT

Polyguard Products, Inc.
P.O. Box 755 - Ennis, TX 75120
Phone: 214-515-5000
Web Site - www.polyguard.com

©POLYGUARD PRODUCTS, INC.
MATERIAL SEPARATED FOR CLARITY

<small>The information provided is based on data and knowledge considered to be true and accurate and is offered for the users' consideration, investigation and verification, but we do not warrant the results to be obtained. Please read all data sheets, statements, recommendations or suggestions in conjunction with our conditions of sale, which apply to all goods supplied by us.</small>	NOT TO SCALE
	EFFECTIVE DATE: 03/06/2023
	SUPERCEDES: 01/01/2023

BACKER ROD AND POLYGUARD DETAIL SEALANT PW APPLIED AND TOOLED IN JOINT

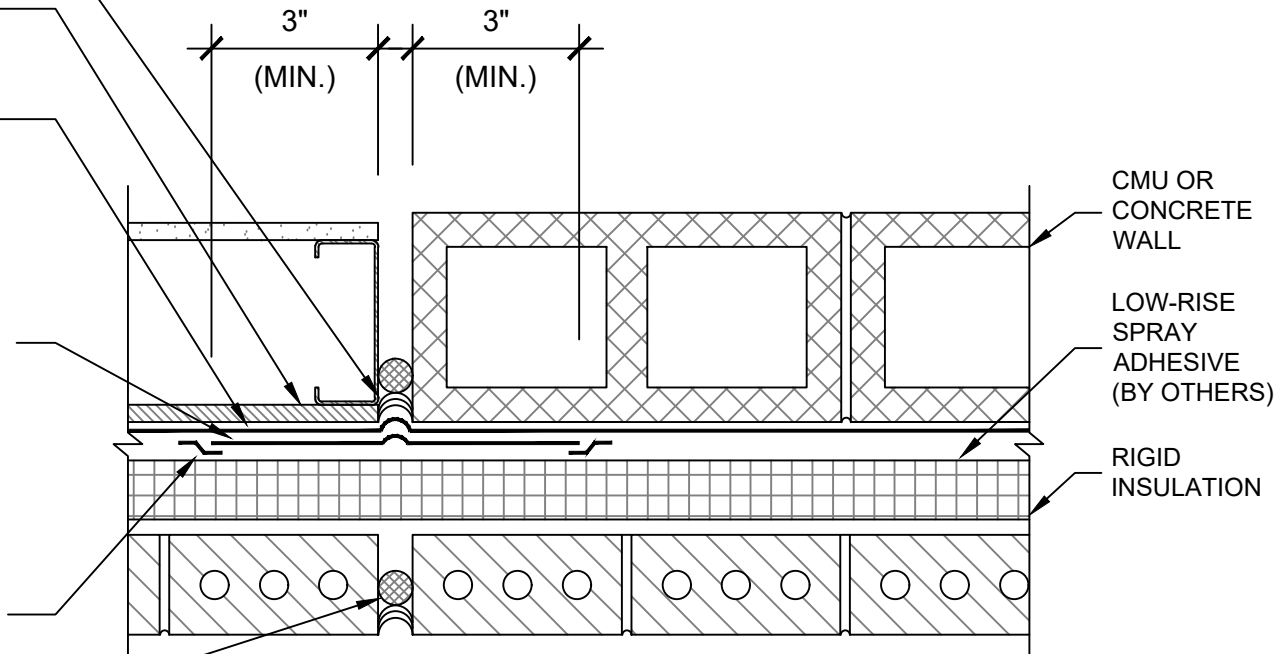
GYPSUM SHEATHING

POLYGUARD NON-PERMEABLE AIRLOK SHEET 400 SERIES AIR BARRIER FIELD MEMBRANE APPLIED BEFORE (AS SHOWN) OR AFTER SELECTED FLASHING

POLYGUARD AIRLOK SHEET 200 BU / NP SERIES OR AIRLOK SHEET 400 NP SERIES APPLIED OVER POLYGUARD 650 LT LIQUID ADHESIVE OR CALIFORNIA SEALANT APPLIED AT A RATE OF 250 - 300 SF / GAL, OR OVER 650 WB LIQUID ADHESIVE APPLIED AT A RATE OF 350 - 400 SF / GAL. EXTEND SELECTED FLASHING MEMBRANE A MINIMUM 3" ONTO EACH SIDE OF JOINT. APPLY SELECTED FLASHING MATERIAL EITHER BEFORE OR AFTER (AS SHOWN) SELECTED POLYGUARD AIR BARRIER FIELD MEMBRANE.

COVER EXPOSED SHEET FLASHING MEMBRANE EDGES WITH POLYGUARD DETAIL SEALANT PW APPLIED AND TOOLED TO MINIMUM 25 MILS

BACKER ROD AND SEALANT (BY OTHERS)



10
ASANP

PLAN @ FRAMED BACKING WALL / MASONRY VENEER - TRANSITION JOINT

Polyguard Products, Inc.
P.O. Box 755 - Ennis, TX 75120
Phone: 214-515-5000
Web Site - www.polyguard.com

©POLYGUARD PRODUCTS, INC.
MATERIAL SEPARATED FOR CLARITY

<p>The information provided is based on data and knowledge considered to be true and accurate and is offered for the users' consideration, investigation and verification, but we do not warrant the results to be obtained. Please read all data sheets, statements, recommendations or suggestions in conjunction with our conditions of sale, which apply to all goods supplied by us.</p>	NOT TO SCALE
	EFFECTIVE DATE: 03/06/2023
	SUPERCEDES: 01/01/2023

BACKER ROD AND POLYGUARD DETAIL SEALANT PW APPLIED AND TOOLED IN JOINT

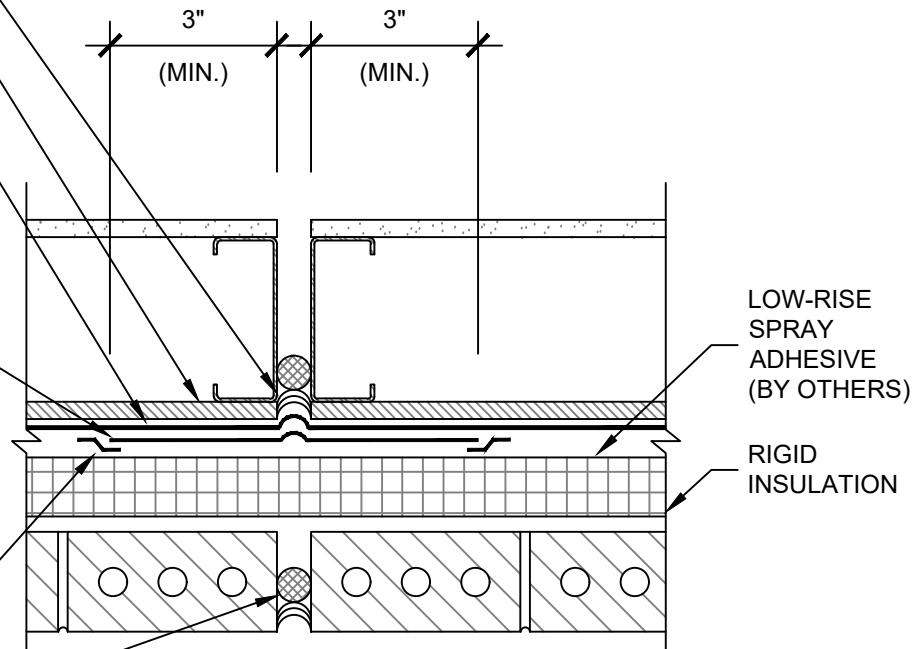
GYPSUM SHEATHING

POLYGUARD NON-PERMEABLE AIRLOK SHEET 400 SERIES AIR BARRIER FIELD MEMBRANE APPLIED BEFORE (AS SHOWN) OR AFTER SELECTED FLASHING

POLYGUARD AIRLOK SHEET 200 BU / NP SERIES OR AIRLOK SHEET 400 NP SERIES APPLIED OVER POLYGUARD 650 LT LIQUID ADHESIVE OR CALIFORNIA SEALANT APPLIED AT A RATE OF 250 - 300 SF / GAL, OR OVER 650 WB LIQUID ADHESIVE APPLIED AT A RATE OF 350 - 400 SF / GAL. EXTEND SELECTED FLASHING MEMBRANE A MINIMUM 3" ONTO EACH SIDE OF JOINT. APPLY SELECTED FLASHING MATERIAL EITHER BEFORE OR AFTER (AS SHOWN) SELECTED POLYGUARD AIR BARRIER FIELD MEMBRANE.

COVER EXPOSED SHEET FLASHING MEMBRANE EDGES WITH POLYGUARD DETAIL SEALANT PW APPLIED AND TOOLED TO MINIMUM 25 MILS WET

BACKER ROD AND SEALANT (BY OTHERS)



11

ASANP

PLAN @ FRAMED BACKING WALL / MASONRY VENEER - EXPANSION / CONTROL JOINT

Polyguard Products, Inc.
P.O. Box 755 - Ennis, TX 75120
Phone: 214-515-5000
Web Site - www.polyguard.com

©POLYGUARD PRODUCTS, INC.
MATERIAL SEPARATED FOR CLARITY

<small>The information provided is based on data and knowledge considered to be true and accurate and is offered for the users' consideration, investigation and verification, but we do not warrant the results to be obtained. Please read all data sheets, statements, recommendations or suggestions in conjunction with our conditions of sale, which apply to all goods supplied by us.</small>	NOT TO SCALE
	EFFECTIVE DATE: 03/06/2023
	SUPERCEDES: 01/01/2023